

WinPack Project

Learn how to stand out from your competitors, sell more at higher prices and dominate your market.

Do you ever wonder why some people perform better than others? Or do you wonder what the difference between multi-million dollar companies and companies that are just getting by?

Packaging Container 1.180 L

WPC 55

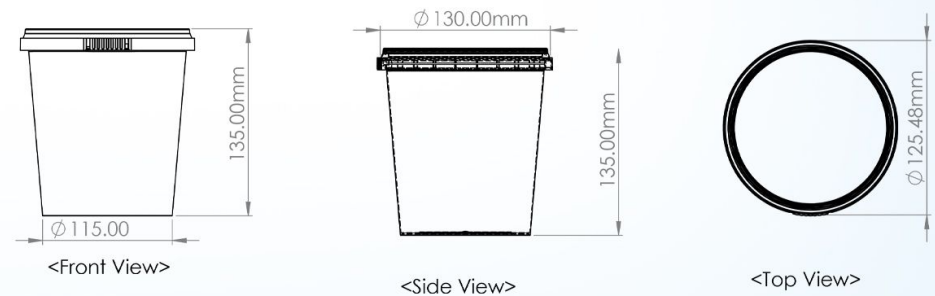


Winner for plastic industry, specializes in producing all kinds of plastic items combining the best quality and the best design

3D Design



2D Technical Drawing



Weight : 55 Gram Capacity : 1.180 Liter
Branding : Heat Transfer Or In Mold Labeling
Material : Polypropylene Copolymer

Packaging Container 1 L

WPC 45

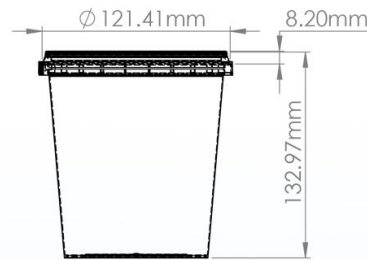


Winner for plastic industry, specializes in producing all kinds of plastic items combining the best quality and the best design

3D Design



2D Technical Drawing



<Side View>



<Front View>



<Top View>

Weight : 45 Gram Capacity : 1.0 Liter
Branding : Heat Transfer Or In Mold Labeling
Material : Polypropylene Copolymer

Packaging Cup

WPC 36

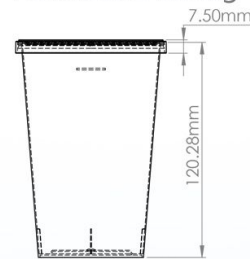


Winner for plastic industry, specializes in producing all kinds of plastic items combining the best quality and the best design

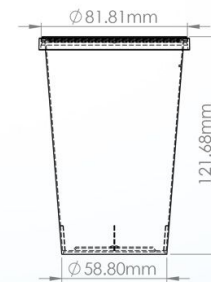
3D Design



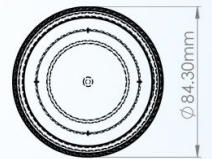
2D Technical Drawing



<Side View>



<Front View>



<Top View>

Weight : 36 Gram Capacity : 0.33 Liter
Branding : Heat Transfer Or In Mold Labeling
Material : Polypropylene Copolymer

Packaging Container

WPC 108

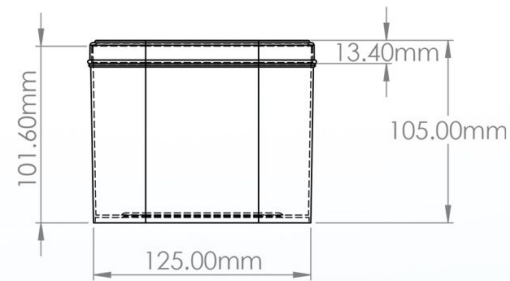


Winner for plastic industry, specializes in producing all kinds of plastic items combining the best quality and the best design

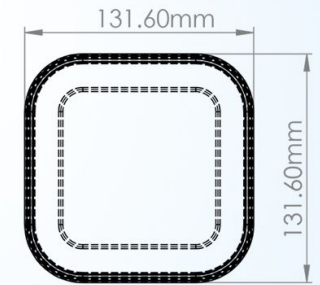
3D Design



2D Technical Drawing



<Front View>



<Top View>

Weight : 108.0 Gram Capacity : 1.4 Liter
Branding : Heat Transfer Or In Mold Labeling
Material : Polypropylene Copolymer

Packaging Container

WPC 37.6

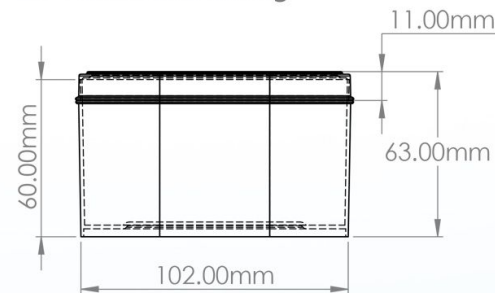


Winner for plastic industry, specializes in producing all kinds of plastic items combining the best quality and the best design

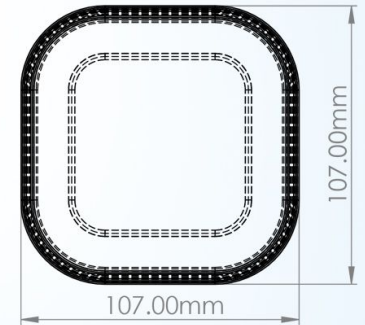
3D Design



2D Technical Drawing



<Front View>



<Top View>

Weight : 37.6 Gram Capacity : 0.45 Liter
Branding : Heat Transfer Or In Mold Labeling
Material : Polypropylene Copolymer

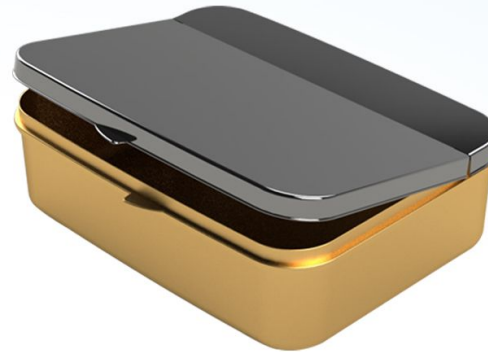
Packaging Container

WPC 133.2

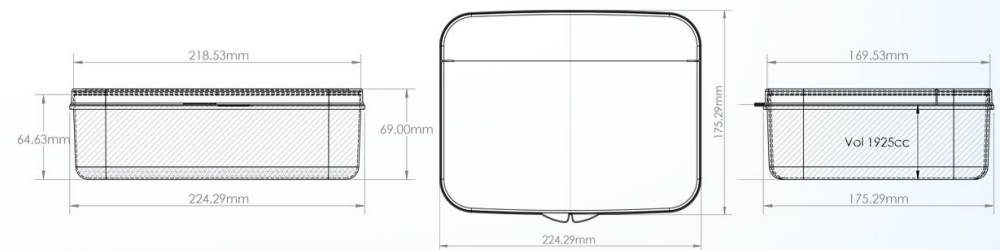


Winner for plastic industry, specializes in producing all kinds of plastic items combining the best quality and the best design

3D Design



2D Technical Drawing



Weight : 133.2 Gram Capacity : 1.85 Liter
Branding : Heat Transfer Or In Mold Labeling
Material : Polypropylene Copolymer

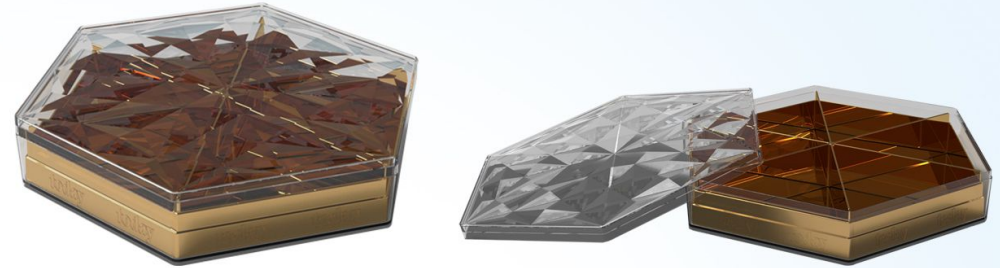
Packaging Container

WPC 171.1

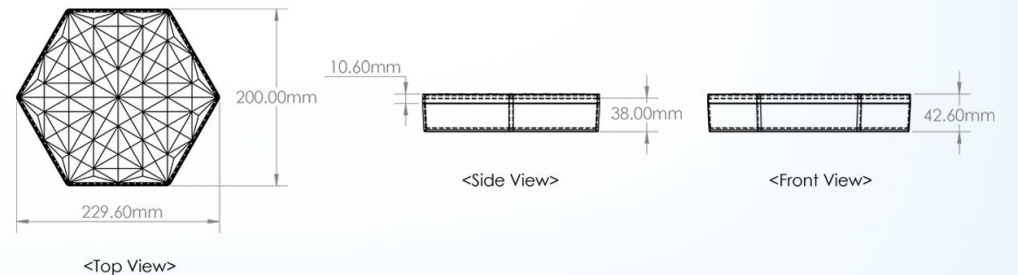


Winner for plastic industry, specializes in producing all kinds of plastic items combining the best quality and the best design

3D Design



2D Technical Drawing



Weight : 171.1 Gram Capacity : 0.5 Liter
Branding : Heat Transfer Or In Mold Labeling
Material : PS

Packaging Container

WPC 146.9

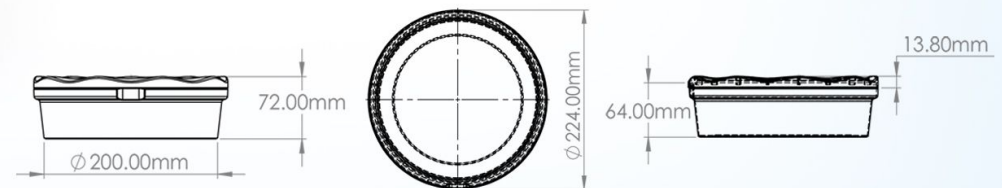


Winner for plastic industry, specializes in producing all kinds of plastic items combining the best quality and the best design

3D Design



2D Technical Drawing



<Front View>

<Top View>

<Right View>

Weight : 146.9 Gram Capacity : 1.4 Liter
Branding : Heat Transfer Or In Mold Labeling
Material : Polypropylene Copolymer

Packaging Container

WPC 195.5

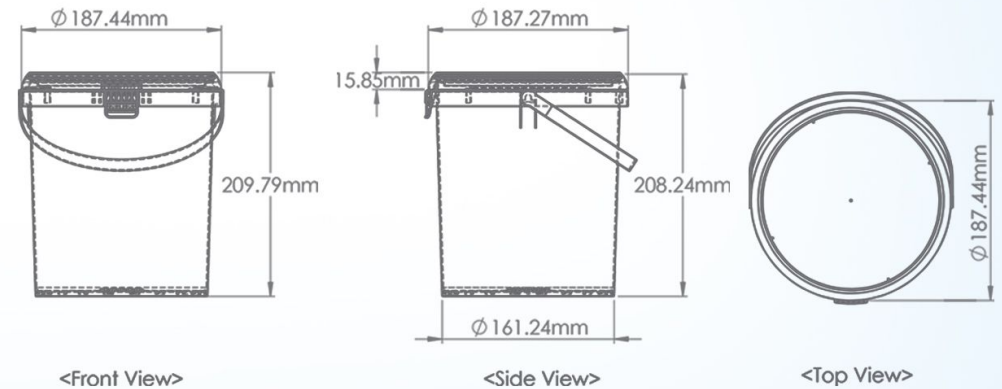


Winner for plastic industry, specializes in producing all kinds of plastic items combining the best quality and the best design

3D Design



2D Technical Drawing



Weight : 195.5 Gram Capacity : 4.5 Liter
Branding : Heat Transfer Or In Mold Labeling
Material : Polypropylene Copolymer

Packaging Container

WPC 802.5

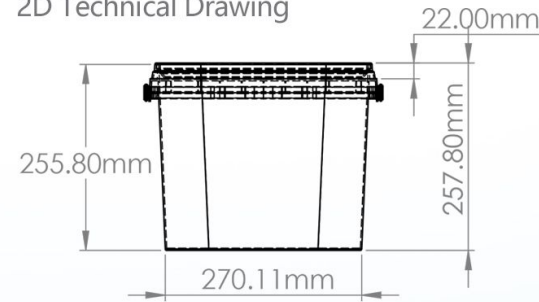


Winner for plastic industry, specializes in producing all kinds of plastic items combining the best quality and the best design

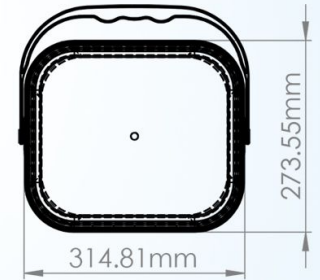
3D Design



2D Technical Drawing



<Front View>



<Top View>

Weight : 802.5 Gram Capacity : 12.0 Liter
Branding : Heat Transfer Or In Mold Labeling
Material : Polypropylene Copolymer